

# PARTS LIST

## CAUTION

- The parts identified by the  $\triangle$  symbol are important for the safety. Whenever replacing these parts, be sure to use specified ones to secure the safety.
- The parts not indicated in this Parts List and those which are filled with lines — in the Parts No. columns will not be supplied.
- P. W. Board Ass'y will not be supplied, but those which are filled with the Parts No. in the Parts No. columns will be supplied.

## ABBREVIATIONS OF RESISTORS, CAPACITORS AND TOLERANCES

| RESISTORS |  | CAPACITORS     |                                      |
|-----------|--|----------------|--------------------------------------|
| C R       | Carbon Resistor                                  | C CAP.         | Ceramic Capacitor                    |
| F R       | Fusible Resistor                                 | E CAP.         | Electrolytic Capacitor               |
| P R       | Plate Resistor                                   | M CAP.         | Mylar Capacitor                      |
| V R       | Variable Resistor                                | HV CAP.        | High Voltage Capacitor               |
| HV R      | High Voltage Resistor                            | MF CAP.        | Metalized Film Capacitor             |
| MF R      | Metal Film Resistor                              | MM CAP.        | Metalized Mylar Capacitor            |
| MG R      | Metal Glazed Resistor                            | MP CAP.        | Metalized Polystyrol Capacitor       |
| MP R      | Metal Plate Resistor                             | PP CAP.        | Polypropylene Capacitor              |
| OM R      | Metal Oxide Film Resistor                        | PS CAP.        | Polystyrol Capacitor                 |
| CMF R     | Coating Metal Film Resistor                      | TF CAP.        | Thin Film Capacitor                  |
| UNF R     | Non-Flammable Resistor                           | MPP CAP.       | Metalized Polypropylene Capacitor    |
| CH V R    | Chip Variable Resistor                           | TAN. CAP.      | Tantalum Capacitor                   |
| CH MG R   | Chip Metal Glazed Resistor                       | CH C CAP.      | Chip Ceramic Capacitor               |
| COMP. R   | Composition Resistor                             | BP E CAP.      | Bi-Polar Electrolytic Capacitor      |
| LPTC R    | Linear Positive Temperature Coefficient Resistor | CH AL E CAP.   | Chip Aluminum Electrolytic Capacitor |
| NETW R    | Network Resistor                                 | CH AL BP CAP.  | Chip Aluminum Bi-Polar Capacitor     |
|           |  | CH TAN. E CAP. | Chip Tantalum Electrolytic Capacitor |

| TOLERANCES |     |     |      |      |      |      |      |      |       |
|------------|-----|-----|------|------|------|------|------|------|-------|
| F          | G   | J   | K    | M    | N    | R    | H    | Z    | P     |
| ±1%        | ±2% | ±5% | ±10% | ±20% | ±30% | +30% | +50% | +80% | +100% |
|            |     |     |      |      |      | -10% | -10% | -20% | -0%   |

## CONTENTS

|  |    |
|--|----|
| ■ P.W. BOARDS .....                    | 28 |
| ■ EXPLODED VIEW PARTS LIST .....       | 28 |
| ■ EXPLODED VIEW .....                  | 29 |
| ■ PRINTED WIRING BOARD PARTS LIST      |    |
| ● MAIN PW BOARD ASS'Y .....            | 30 |
| ■ PACKING / PACKING PARTS LIST .....   | 35 |
| ■ REMOTE CONTROL UNIT PARTS LIST ..... | 35 |

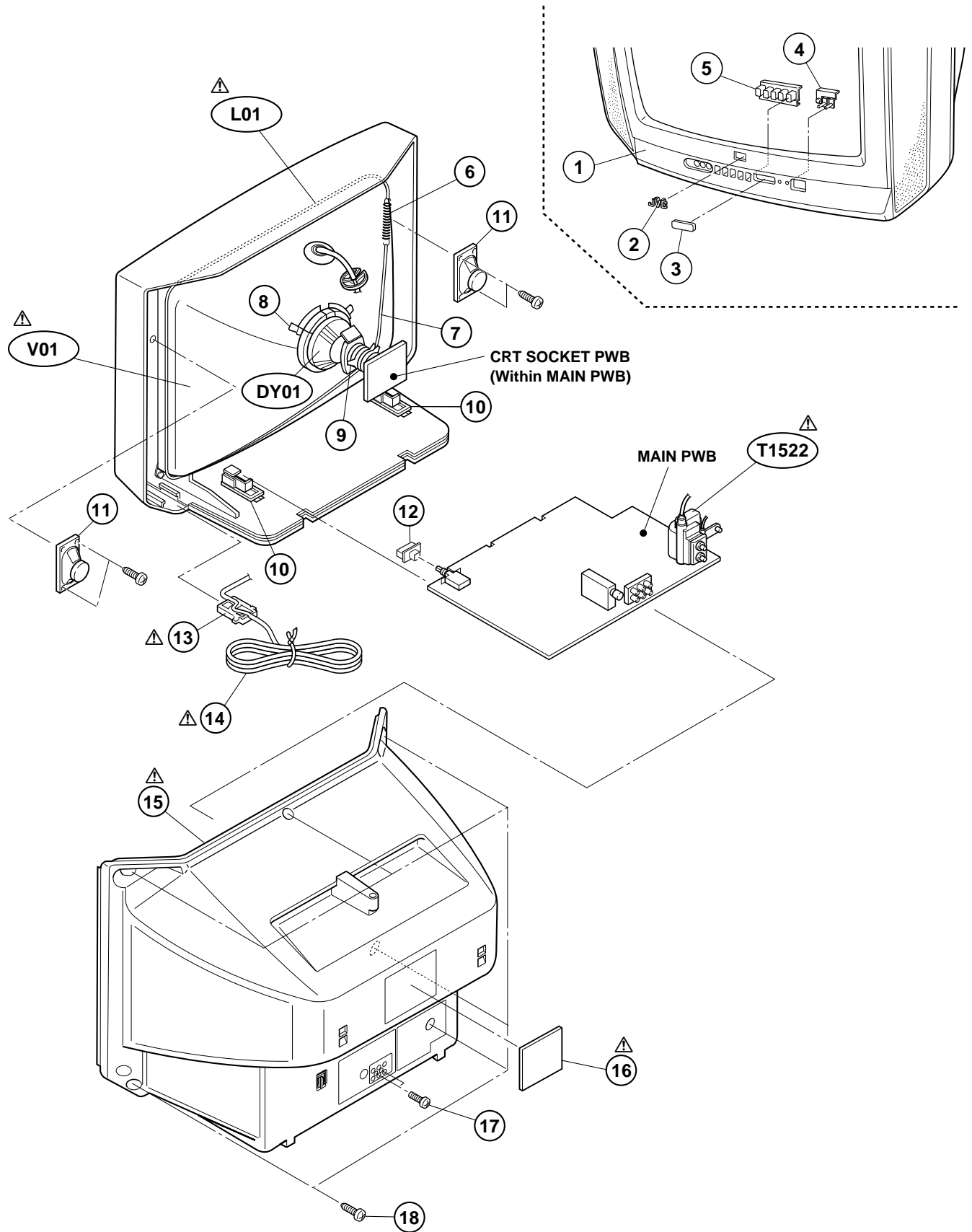
## P.W. BOARDS

| P.W.B. ASS'Y | PART NO.     |
|--------------|--------------|
| MAIN P.W.B.  | SCL-1288A-H2 |

## EXPLODED VIEW PARTS LIST

| △ Ref.No. | Part No.       | Part Name       | Description      | Local |
|-----------|----------------|-----------------|------------------|-------|
| △ V01     | A48KXR064X     | PICTURE TUBE    |                  |       |
| △ L01     | QQW0061-001    | DEG COIL        |                  |       |
|           | DY01           | DEFLECTION YOKE |                  |       |
| △ T1522   | QQH0073-001    | H.V. TRANSF.    |                  |       |
| 1         | LC10438-013A-H | FRONT CABINET   |                  |       |
| 2         | CM48006-007-C  | JVC MARK        |                  |       |
| 3         | LC30664-001B-H | E.E. WINDOW     |                  |       |
| 4         | LC30665-001A-H | REMOCON LENS    |                  |       |
| 5         | LC20318-003A-H | CONTROL KNOB    |                  |       |
| 6         | A48457-3-H     | SPRING          |                  |       |
| 7         | WJY0008-002A   | BRAIDED ASSY    |                  |       |
| 8         | CE40764-00A    | WEDGE ASSY      | (x3)             |       |
| 9         | A75034-B       | PC MAGNET       |                  |       |
| 10        | CM36623-B01-H  | CHASSIS RAIL    | (x2)             |       |
| 11        | CEBSS12D-04KJ2 | SPEAKER         | (x2) SP01,SP02   |       |
| 12        | LC30663-003A-H | POWER KNOB      |                  |       |
| △ 13      | CM47005-A01-H  | CORD CLAMP      |                  |       |
| △ 14      | QMP40D0-200J5  | POWER CORD      | or QMP40D0-200J3 |       |
| △ 15      | LC10448-001B-H | REAR COVER      |                  |       |
| △ 16      | CM22925-001    | RATING LABEL    |                  |       |
| 17        | QYSBSF3010Z    | TAPPING SCREW   | (x2)             |       |
| 18        | QYSBSFG4016Z   | TAPPING SCREW   | (x6)             |       |

# EXPLODED VIEW



## PRINTED WIRING BOARD PARTS LIST

## MAIN P.W. BOARD ASS'Y (SCL-1288A-H2)

| Symbol No.      | Part No.     | Part Name | Description  | Local |
|-----------------|--------------|-----------|--------------|-------|
| <b>RESISTOR</b> |              |           |              |       |
| R1002           | QRE141J-221Y | C R       | 220Ω 1/4W J  |       |
| R1003           | QRE141J-221Y | C R       | 220Ω 1/4W J  |       |
| R1101           | QRE141J-224Y | C R       | 22kΩ 1/4W J  |       |
| R1102           | QRE141J-153Y | C R       | 15kΩ 1/4W J  |       |
| R1103           | QRE141J-682Y | C R       | 6.8kΩ 1/4W J |       |
| R1104           | QRE141J-181Y | C R       | 180Ω 1/4W J  |       |
| R1105           | QRE141J-222Y | C R       | 2.2kΩ 1/4W J |       |
| R1106           | QRE141J-122Y | C R       | 1.2kΩ 1/4W J |       |
| R1107           | QRE141J-100Y | C R       | 10Ω 1/4W J   |       |
| R1108           | QRE141J-750Y | C R       | 75Ω 1/4W J   |       |
| R1109           | QRE141J-100Y | C R       | 10Ω 1/4W J   |       |
| R1110           | QRE141J-272Y | C R       | 2.7kΩ 1/4W J |       |
| R1111           | QRE141J-101Y | C R       | 100Ω 1/4W J  |       |
| R1112           | QRE141J-103Y | C R       | 10kΩ 1/4W J  |       |
| R1113           | QRE141J-561Y | C R       | 560Ω 1/4W J  |       |
| R1114           | QRE141J-561Y | C R       | 560Ω 1/4W J  |       |
| R1116           | QRE141J-104Y | C R       | 100kΩ 1/4W J |       |
| R1117           | QRE141J-272Y | C R       | 2.7kΩ 1/4W J |       |
| R1118           | QRE141J-273Y | C R       | 27kΩ 1/4W J  |       |
| R1121           | QRE141J-221Y | C R       | 220Ω 1/4W J  |       |
| R1123           | QRE141J-151Y | C R       | 150Ω 1/4W J  |       |
| R1125           | QRE141J-102Y | C R       | 1kΩ 1/4W J   |       |
| R1126           | QRE141J-103Y | C R       | 10kΩ 1/4W J  |       |
| R1127           | QRE141J-221Y | C R       | 220Ω 1/4W J  |       |
| R1128           | QRE141J-821Y | C R       | 820Ω 1/4W J  |       |
| R1129           | QRE141J-221Y | C R       | 220Ω 1/4W J  |       |
| R1130           | QRE141J-222Y | C R       | 2.2kΩ 1/4W J |       |
| R1131           | QRE141J-271Y | C R       | 270Ω 1/4W J  |       |
| R1132           | QRE141J-331Y | C R       | 330Ω 1/4W J  |       |
| R1133           | QRE141J-331Y | C R       | 330Ω 1/4W J  |       |
| R1135           | QRE141J-224Y | C R       | 22kΩ 1/4W J  |       |
| R1203           | QRE141J-224Y | C R       | 22kΩ 1/4W J  |       |
| R1204           | QRE141J-391Y | C R       | 390Ω 1/4W J  |       |
| R1205           | QRE141J-391Y | C R       | 390Ω 1/4W J  |       |
| R1206           | QRE141J-103Y | C R       | 10kΩ 1/4W J  |       |
| R1208           | QRE141J-681Y | C R       | 680Ω 1/4W J  |       |
| R1209           | QRE141J-821Y | C R       | 820Ω 1/4W J  |       |
| R1210           | QRE141J-122Y | C R       | 1.2kΩ 1/4W J |       |
| R1232           | QRE141J-101Y | C R       | 100Ω 1/4W J  |       |
| R1233           | QRE121J-101Y | C R       | 100Ω 1/2W J  |       |
| R1234           | QRE141J-680Y | C R       | 68Ω 1/4W J   |       |
| R1235           | QRE141J-750Y | C R       | 75Ω 1/4W J   |       |
| R1303           | QRE141J-273Y | C R       | 27kΩ 1/4W J  |       |
| R1304           | QRE141J-101Y | C R       | 100Ω 1/4W J  |       |
| R1305           | QRE141J-101Y | C R       | 100Ω 1/4W J  |       |
| R1306           | QRE141J-101Y | C R       | 100Ω 1/4W J  |       |
| R1307           | QRE141J-102Y | C R       | 1kΩ 1/4W J   |       |
| R1308           | QRE141J-102Y | C R       | 1kΩ 1/4W J   |       |
| R1309           | QRE141J-102Y | C R       | 1kΩ 1/4W J   |       |
| R1310           | QRE141J-102Y | C R       | 1kΩ 1/4W J   |       |
| R1311           | QRE141J-333Y | C R       | 33kΩ 1/4W J  |       |
| R1313           | QRE141J-103Y | C R       | 10kΩ 1/4W J  |       |
| R1314           | QRE141J-101Y | C R       | 100Ω 1/4W J  |       |
| R1315           | QRE141J-101Y | C R       | 100Ω 1/4W J  |       |
| R1351           | QRE141J-151Y | C R       | 150Ω 1/4W J  |       |
| R1352           | QRE141J-151Y | C R       | 150Ω 1/4W J  |       |
| R1353           | QRE141J-151Y | C R       | 150Ω 1/4W J  |       |
| R1354           | QRL029J-123  | OM R      | 12kΩ 2W J    |       |
| R1355           | QRE141J-222Y | C R       | 2.2kΩ 1/4W J |       |
| R1356           | QRE141J-331Y | C R       | 330Ω 1/4W J  |       |
| R1357           | QRL029J-123  | OM R      | 12kΩ 2W J    |       |
| R1358           | QRE141J-222Y | C R       | 2.2kΩ 1/4W J |       |
| R1359           | QRE141J-331Y | C R       | 330Ω 1/4W J  |       |
| R1360           | QRL029J-123  | OM R      | 12kΩ 2W J    |       |
| R1361           | QRE141J-222Y | C R       | 2.2kΩ 1/4W J |       |
| R1362           | QRE141J-331Y | C R       | 330Ω 1/4W J  |       |
| R1363           | QRZ0107-152Z | C R       | 1.5kΩ 1/2W K |       |
| R1364           | QRE141J-562Y | C R       | 5.6kΩ 1/4W J |       |
| R1365           | QRE141J-101Y | C R       | 100Ω 1/4W J  |       |
| R1366           | QRZ0107-152Z | C R       | 1.5kΩ 1/2W K |       |
| R1367           | QRE141J-101Y | C R       | 100Ω 1/4W J  |       |
| R1368           | QRZ0107-152Z | C R       | 1.5kΩ 1/2W K |       |
| R1369           | QRE141J-101Y | C R       | 100Ω 1/4W J  |       |

| Symbol No.      | Part No.     | Part Name | Description  | Local |
|-----------------|--------------|-----------|--------------|-------|
| <b>RESISTOR</b> |              |           |              |       |
| R1370           | QRE121J-104Y | C R       | 100kΩ 1/2W J |       |
| R1372           | QRE141J-103Y | C R       | 10kΩ 1/4W J  |       |
| R1373           | QRE121J-104Y | C R       | 100kΩ 1/2W J |       |
| R1403           | QRE141J-682Y | C R       | 6.8kΩ 1/4W J |       |
| R1422           | QRE141J-472Y | C R       | 4.7kΩ 1/4W J |       |
| R1423           | QRE141J-221Y | C R       | 220Ω 1/4W J  |       |
| R1425           | QRE141J-333Y | C R       | 33kΩ 1/4W J  |       |
| R1426           | QRE141J-333Y | C R       | 33kΩ 1/4W J  |       |
| R1427           | QRE141J-103Y | C R       | 10kΩ 1/4W J  |       |
| R1429           | QRE141J-562Y | C R       | 5.6kΩ 1/4W J |       |
| R1430           | QRE141J-103Y | C R       | 10kΩ 1/4W J  |       |
| R1431           | QRE141J-822Y | C R       | 8.2kΩ 1/4W J |       |
| R1432           | QRE121J-688Y | C R       | 6.8Ω 1/2W J  |       |
| R1433           | QRE121J-4R7Y | C R       | 4.7Ω 1/2W J  |       |
| R1434           | QRE141J-183Y | C R       | 18kΩ 1/4W J  |       |
| R1440           | QRE121J-331Y | C R       | 330Ω 1/2W J  |       |
| R1441           | QRE141J-682Y | C R       | 6.8kΩ 1/4W J |       |
| R1442           | QRE141J-822Y | C R       | 8.2kΩ 1/4W J |       |
| R1443           | QRK129J-1R0  | C R       | 1.0Ω 1/2W J  |       |
| R1444           | QRE121J-182Y | C R       | 1.8kΩ 1/2W J |       |
| R1450           | QRE141J-222Y | C R       | 2.2kΩ 1/4W J |       |
| R1451           | QRE141J-103Y | C R       | 10kΩ 1/4W J  |       |
| R1452           | QRE141J-222Y | C R       | 2.2kΩ 1/4W J |       |
| R1453           | QRE141J-122Y | C R       | 1.2kΩ 1/4W J |       |
| R1501           | QRE141J-822Y | C R       | 8.2kΩ 1/4W J |       |
| R1502           | QRE141J-621Y | C R       | 620Ω 1/4W J  |       |
| R1504           | QRE141J-103Y | C R       | 10kΩ 1/4W J  |       |
| R1505           | QRE141J-104Y | C R       | 100kΩ 1/4W J |       |
| R1506           | QRG016J-121  | OM R      | 120Ω 1W J    |       |
| R1522           | QRE141J-123Y | C R       | 12kΩ 1/4W J  |       |
| R1523           | QRE121J-222Y | C R       | 2.2kΩ 1/2W J |       |
| R1524           | QRG029J-272  | OM R      | 2.7kΩ 2W J   |       |
| R1525           | QRG029J-272  | OM R      | 2.7kΩ 2W J   |       |
| R1526           | QRE121J-220Y | C R       | 22Ω 1/2W J   |       |
| R1529           | QRG029J-391  | OM R      | 390Ω 2W J    |       |
| R1582           | QRE141J-123Y | C R       | 12kΩ 1/4W J  |       |
| R1583           | QRE141J-123Y | C R       | 12kΩ 1/4W J  |       |
| R1591           | QRE141J-273Y | C R       | 27kΩ 1/4W J  |       |
| R1594           | QRE141J-332Y | C R       | 3.3kΩ 1/4W J |       |
| R1601           | QRE141J-182Y | C R       | 1.8kΩ 1/4W J |       |
| R1602           | QRE141J-102Y | C R       | 1kΩ 1/4W J   |       |
| R1603           | QRE141J-103Y | C R       | 10kΩ 1/4W J  |       |
| R1604           | QRE141J-222Y | C R       | 2.2kΩ 1/4W J |       |
| R1605           | QRE141J-221Y | C R       | 220Ω 1/4W J  |       |
| R1606           | QRE141J-152Y | C R       | 1.5kΩ 1/4W J |       |
| R1607           | QRE141J-182Y | C R       | 1.8kΩ 1/4W J |       |
| R1608           | QRE141J-561Y | C R       | 560Ω 1/4W J  |       |
| R1609           | QRE141J-471Y | C R       | 470Ω 1/4W J  |       |
| R1610           | QRE141J-222Y | C R       | 2.2kΩ 1/4W J |       |
| R1611           | QRE141J-152Y | C R       | 1.5kΩ 1/4W J |       |
| R1612           | QRE141J-471Y | C R       | 470Ω 1/4W J  |       |
| R1615           | QRE141J-181Y | C R       | 180Ω 1/4W J  |       |
| R1616           | QRE141J-220Y | C R       | 22Ω 1/4W J   |       |
| R1617           | QRE141J-821Y | C R       | 820Ω 1/4W J  |       |
| R1619           | QRE141J-102Y | C R       | 1kΩ 1/4W J   |       |
| R1620           | QRE141J-102Y | C R       | 1kΩ 1/4W J   |       |
| R1621           | QRE141J-393Y | C R       | 39kΩ 1/4W J  |       |
| R1622           | QRE141J-103Y | C R       | 10kΩ 1/4W J  |       |
| R1623           | QRE141J-391Y | C R       | 390Ω 1/4W J  |       |
| R1624           | QRE141J-101Y | C R       | 100Ω 1/4W J  |       |
| R1625           | QRE141J-561Y | C R       | 560Ω 1/4W J  |       |
| R1626           | QRE141J-182Y | C R       | 1.8kΩ 1/4W J |       |
| R1627           | QRE141J-561Y | C R       | 560Ω 1/4W J  |       |
| R1628           | QRE141J-561Y | C R       | 560Ω 1/4W J  |       |
| R1629           | QRE141J-221Y | C R       | 220Ω 1/4W J  |       |
| R1630           | QRE141J-221Y | C R       | 220Ω 1/4W J  |       |
| R1631           | QRE141J-681Y | C R       | 680Ω 1/4W J  |       |
| R1632           | QRE141J-681Y | C R       | 680Ω 1/4W J  |       |
| R1633           | QRE141J-102Y | C R       | 1kΩ 1/4W J   |       |
| R1634           | QRE141J-102Y | C R       | 1kΩ 1/4W J   |       |
| R1635           | QRE141J-472Y | C R       | 4.7kΩ 1/4W J |       |
| R1636           | QRE141J-472Y | C R       | 4.7kΩ 1/4W J |       |
| R1637           | QRE141J-181Y | C R       | 180Ω 1/4W J  |       |

| Symbol No.      | Part No.     | Part Name | Description  | Local |
|-----------------|--------------|-----------|--------------|-------|
| <b>RESISTOR</b> |              |           |              |       |
| R1638           | QRE141J-181Y | C R       | 180Ω 1/4W J  |       |
| R1640           | QRE141J-105Y | C R       | 100kΩ 1/4W J |       |
| R1641           | QRE141J-822Y | C R       | 8.2kΩ 1/4W J |       |
| R1642           | QRE141J-154Y | C R       | 150kΩ 1/4W J |       |
| R1643           | QRE141J-102Y | C R       | 1kΩ 1/4W J   |       |
| R1644           | QRE141J-562Y | C R       | 5.6kΩ 1/4W J |       |
| R1645           | QRE141J-562Y | C R       | 5.6kΩ 1/4W J |       |
| R1646           | QRE141J-562Y | C R       | 5.6kΩ 1/4W J |       |
| R1647           | QRE141J-102Y | C R       | 1kΩ 1/4W J   |       |
| R1648           | QRE141J-562Y | C R       | 5.6kΩ 1/4W J |       |
| R1649           | QRE141J-182Y | C R       | 1.8kΩ 1/4W J |       |
| R1651           | QRE141J-182Y | C R       | 1.8kΩ 1/4W J |       |
| R1652           | QRE141J-103Y | C R       | 10kΩ 1/4W J  |       |
| R1653           | QRE141J-122Y | C R       | 1.2kΩ 1/4W J |       |
| R1654           | QRE141J-182Y | C R       | 1.8kΩ 1/4W J |       |
| R1655           | QRE141J-103Y | C R       | 10kΩ 1/4W J  |       |
| R1656           | QRE141J-122Y | C R       | 1.2kΩ 1/4W J |       |
| R1661           | QRE141J-101Y | C R       | 100Ω 1/4W J  |       |
| R1664           | QRK129J-4R7  | C R       | 4.7Ω 1/2W J  |       |
| R1665           | QRK129J-4R7  | C R       | 4.7Ω 1/2W J  |       |
| R1666           | QRE141J-561Y | C R       | 560Ω 1/4W J  |       |
| R1667           | QRE141J-561Y | C R       | 560Ω 1/4W J  |       |
| R1668           | QRE141J-181Y | C R       | 180Ω 1/4W J  |       |
| R1669           | QRE141J-181Y | C R       | 180Ω 1/4W J  |       |
| R1671           | QRE141J-101Y | C R       | 100Ω 1/4W J  |       |
| R1672           | QRE141J-101Y | C R       | 100Ω 1/4W J  |       |
| R1694           | QRE141J-104Y | C R       | 100kΩ 1/4W J |       |
| R1701           | QRE141J-473Y | C R       | 47kΩ 1/4W J  |       |
| R1702           | QRB089J-682  | NETW. R   | 6.8kΩ        |       |
| R1703           | QRE141J-682Y | C R       | 6.8kΩ 1/4W J |       |
| R1704           | QRE141J-561Y | C R       | 560Ω 1/4W J  |       |
| R1705           | QRE141J-561Y | C R       | 560Ω 1/4W J  |       |
| R1706           | QRE141J-821Y | C R       | 820Ω 1/4W J  |       |
| R1707           | QRE141J-103Y | C R       | 10kΩ 1/4W J  |       |
| R1708           | QRE141J-103Y | C R       | 10kΩ 1/4W J  |       |
| R1709           | QRE141J-223Y | C R       | 22kΩ 1/4W J  |       |
| R1710           | QRE141J-682Y | C R       | 6.8kΩ 1/4W J |       |
| R1711           | QRE141J-103Y | C R       | 10kΩ 1/4W J  |       |
| R1712           | QRE141J-563Y | C R       | 56kΩ 1/4W J  |       |
| R1713           | QRE141J-223Y | C R       | 22kΩ 1/4W J  |       |
| R1714           | QRE141J-103Y | C R       | 10kΩ 1/4W J  |       |
| R1719           | QRE141J-562Y | C R       | 5.6kΩ 1/4W J |       |
| R1720           | QRE141J-562Y | C R       | 5.6kΩ 1/4W J |       |
| R1721           | QRE141J-562Y | C R       | 5.6kΩ 1/4W J |       |
| R1722           | QRE141J-562Y | C R       | 5.6kΩ 1/4W J |       |
| R1724           | QRE141J-682Y | C R       | 6.8kΩ 1/4W J |       |
| R1725           | QRB089J-682  | NETW. R   | 6.8kΩ        |       |
| R1733           | QRE141J-221Y | C R       | 220Ω 1/4W J  |       |
| R1734           | QRE141J-221Y | C R       | 220Ω 1/4W J  |       |
| R1735           | QRE141J-221Y | C R       | 220Ω 1/4W J  |       |
| R1736           | QRE141J-221Y | C R       | 220Ω 1/4W J  |       |
| R1737           | QRE141J-124Y | C R       | 120kΩ 1/4W J |       |
| R1738           | QRE141J-683Y | C R       | 68kΩ 1/4W J  |       |
| R1739           | QRE141J-682Y | C R       | 6.8kΩ 1/4W J |       |
| R1740           | QRE141J-221Y | C R       | 220Ω 1/4W J  |       |
| R1741           | QRE141J-221Y | C R       | 220Ω 1/4W J  |       |
| R1742           | QRE141J-221Y | C R       | 220Ω 1/4W J  |       |
| R1743           | QRE141J-221Y | C R       | 220Ω 1/4W J  |       |
| R1744           | QRE141J-221Y | C R       | 220Ω 1/4W J  |       |
| R1746           | QRE141J-473Y | C R       | 47kΩ 1/4W J  |       |
| R1748           | QRE141J-682Y | C R       | 6.8kΩ 1/4W J |       |
| R1749           | QRE141J-102Y | C R       | 1kΩ 1/4W J   |       |
| R1750           | QRE141J-102Y | C R       | 1kΩ 1/4W J   |       |
| R1751           | QRE141J-103Y | C R       | 10kΩ 1/4W J  |       |
| R1752           | QRE141J-332Y | C R       | 3.3kΩ 1/4W J |       |
| R1753           | QRE141J-682Y | C R       | 6.8kΩ 1/4W J |       |
| R1754           | QRE141J-103Y | C R       | 10kΩ 1/4W J  |       |
| R1755           | QRE141J-332Y | C R       | 3.3kΩ 1/4W J |       |
| R1756           | QRE141J-681Y | C R       | 680Ω 1/4W J  |       |
| R1757           | QRE141J-222Y | C R       | 2.2kΩ 1/4W J |       |
| R1758           | QRE141J-222Y | C R       | 2.2kΩ 1/4W J |       |
| R1759           | QRE141J-103Y | C R       | 10kΩ 1/4W J  |       |
| R1760           | QRE141J-102Y | C R       | 1kΩ 1/4W J   |       |
| R1762           | QRE141J-822Y | C R       | 8.2kΩ 1/4W J |       |
| R1901           | QRF104K-3R9  | UNF R     | 3.9Ω 10W K   |       |

| Symbol No.      | Part No.     | Part Name | Description  | Local |
|-----------------|--------------|-----------|--------------|-------|
| <b>RESISTOR</b> |              |           |              |       |
| R1902           | QRL039J-683  | OM R      | 68kΩ 3W J    |       |
| R1921           | QRE121J-681Y | C R       | 680Ω 1/2W J  |       |
| R1922           | QRX029J-2R2  | MF R      | 2.2Ω 2W J    |       |
| R1923           | QRM059J-R22  | MP R      | 0.22Ω 5W J   |       |
| R1926           | QRE141J-152Y | C R       | 1.5kΩ 1/4W J |       |
| R1928           | QRL039J-473  | OM R      | 47kΩ 3W J    |       |
| R1929           | QRE121J-332Y | C R       | 3.3kΩ 1/2W J |       |
| R1932           | QRE121J-824Y | C R       | 820kΩ 1/2W J |       |
| R1933           | QRK129J-3R9  | C R       | 3.9Ω 1/2W J  |       |
| R1934           | QRE121J-333Y | C R       | 33kΩ 1/2W J  |       |
| R1935           | QRE141J-152Y | C R       | 1.5kΩ 1/4W J |       |
| R1941           | QRE121J-152Y | C R       | 1.5kΩ 1/2W J |       |
| R1943           | QRE141J-472Y | C R       | 4.7kΩ 1/4W J |       |
| R1944           | QRE121J-332Y | C R       | 3.3kΩ 1/2W J |       |
| R1946           | QRE141J-153Y | C R       | 15kΩ 1/4W J  |       |
| R1970           | QRG01GJ-100  | OM R      | 10Ω 1W J     |       |
| R1971           | QRE141J-223Y | C R       | 22kΩ 1/4W J  |       |
| R1972           | QRE121J-152Y | C R       | 1.5kΩ 1/2W J |       |
| R1973           | QRL029J-390  | OM R      | 39Ω 2W J     |       |
| R1974           | QRE141J-332Y | C R       | 3.3kΩ 1/4W J |       |
| R1975           | QRE141J-123Y | C R       | 12kΩ 1/4W J  |       |
| R1977           | QRG029J-183  | OM R      | 18kΩ 2W J    |       |
| R1979           | QRL039J-270  | OM R      | 27Ω 3W J     |       |
| R1980           | QRE141J-821Y | C R       | 820Ω 1/4W J  |       |
| R1981           | QRE141J-222Y | C R       | 2.2kΩ 1/4W J |       |
| R1982           | QRE141J-822Y | C R       | 8.2kΩ 1/4W J |       |
| R1983           | QRE141J-102Y | C R       | 1kΩ 1/4W J   |       |
| △ R1991         | QRZ0057-825  | C R       | 8.2MΩ 1W J   |       |

### CAPACITOR

|       |              |           |               |
|-------|--------------|-----------|---------------|
| C1001 | QETN1HM-475Z | E CAP.    | 4.7μF 50V M   |
| C1003 | QETN1HM-106Z | E CAP.    | 10μF 50V M    |
| C1005 | QFV71HJ-104Z | TF CAP.   | 0.1μF 50V J   |
| C1006 | QCB31HK-103Z | C CAP.    | 0.01μF 50V K  |
| C1008 | QETN1HM-106Z | E CAP.    | 10μF 50V M    |
| C1015 | QCB31HK-222Z | C CAP.    | 2200pF 50V K  |
| C1101 | QCB31HK-472Z | C CAP.    | 4700pF 50V K  |
| C1102 | QCB31HK-472Z | C CAP.    | 4700pF 50V K  |
| C1103 | QCB31HK-472Z | C CAP.    | 4700pF 50V K  |
| C1104 | QCB31HK-472Z | C CAP.    | 4700pF 50V K  |
| C1105 | QCB31HK-472Z | C CAP.    | 4700pF 50V K  |
| C1106 | QCB31HK-472Z | C CAP.    | 4700pF 50V K  |
| C1107 | QCB31HK-472Z | C CAP.    | 4700pF 50V K  |
| C1108 | QCB31HK-103Z | C CAP.    | 0.01μF 50V K  |
| C1110 | QCB31HK-103Z | C CAP.    | 0.01μF 50V K  |
| C1111 | QCB31HK-103Z | C CAP.    | 0.01μF 50V K  |
| C1112 | QFLC1HJ-104Z | M CAP.    | 0.1μF 50V J   |
| C1113 | QCB31HK-103Z | C CAP.    | 0.01μF 50V K  |
| C1114 | QETN1HM-474Z | E CAP.    | 0.47μF 50V M  |
| C1116 | QETN1HM-474Z | E CAP.    | 0.47μF 50V M  |
| C1118 | QCB31HK-103Z | C CAP.    | 0.01μF 50V K  |
| C1119 | QETN1EM-476Z | E CAP.    | 47μF 25V M    |
| C1120 | QETN1EM-476Z | E CAP.    | 47μF 25V M    |
| C1121 | QCB31HK-103Z | C CAP.    | 0.01μF 50V K  |
| C1122 | QETN1EM-476Z | E CAP.    | 47μF 25V M    |
| C1123 | QCB31HK-103Z | C CAP.    | 0.01μF 50V K  |
| C1124 | QETN1EM-476Z | E CAP.    | 47μF 25V M    |
| C1135 | QCB31HK-103Z | C CAP.    | 0.01μF 50V K  |
| C1136 | QFLC1HJ-103Z | M CAP.    | 0.01μF 50V J  |
| C1201 | QETN1CM-107Z | E CAP.    | 100μF 16V M   |
| C1202 | QFLC1HJ-104Z | M CAP.    | 0.1μF 50V J   |
| C1203 | QFV71HJ-684Z | TF CAP.   | 0.68μF 50V J  |
| C1204 | QFLC1HJ-104Z | M CAP.    | 0.1μF 50V J   |
| C1205 | QETN1HM-475Z | E CAP.    | 4.7μF 50V M   |
| C1206 | QCB31HK-103Z | C CAP.    | 0.01μF 50V K  |
| C1207 | QETN1CM-107Z | E CAP.    | 100μF 16V M   |
| C1208 | QETN1HM-106Z | E CAP.    | 10μF 50V M    |
| C1209 | QCB31HK-103Z | C CAP.    | 0.01μF 50V K  |
| C1210 | QETN1HM-106Z | E CAP.    | 10μF 50V M    |
| C1212 | QETN1HM-106Z | E CAP.    | 10μF 50V M    |
| C1213 | QENC1CM-106Z | BP E CAP. | 10μF 16V M    |
| C1231 | QETN1CM-227Z | E CAP.    | 220μF 16V M   |
| C1232 | QETN1CM-477Z | E CAP.    | 470μF 16V M   |
| C1233 | QETN1HM-106Z | E CAP.    | 10μF 50V M    |
| C1234 | QENC1EM-106Z | BP E CAP. | 10μF 25V M    |
| C1235 | QETN1EM-476Z | E CAP.    | 47μF 25V M    |
| C1236 | QENC1EM-106Z | BP E CAP. | 10μF 25V M    |
| C1301 | QFLC1HJ-473Z | M CAP.    | 0.047μF 50V J |
| C1302 | QCB31HK-103Z | C CAP.    | 0.01μF 50V K  |

| Symbol No.       | Part No.     | Part Name | Description | Local      |
|------------------|--------------|-----------|-------------|------------|
| <b>CAPACITOR</b> |              |           |             |            |
| C1303            | QDC31HJ-120Z | C CAP.    | 12pF        | 50V J      |
| C1304            | QFLC1HJ-104Z | M CAP.    | 0.1μF       | 50V J      |
| C1305            | QFLC1HJ-104Z | M CAP.    | 0.1μF       | 50V J      |
| C1306            | QFLC1HJ-104Z | M CAP.    | 0.1μF       | 50V J      |
| C1307            | QETN1HM-225Z | E CAP.    | 2.2μF       | 50V M      |
| C1308            | QCB31HK-103Z | C CAP.    | 0.01μF      | 50V K      |
| C1309            | QETN1HM-475Z | E CAP.    | 4.7μF       | 50V M      |
| C1310            | QCB31HK-103Z | C CAP.    | 0.01μF      | 50V K      |
| C1311            | QETN1CM-107Z | E CAP.    | 100μF       | 16V M      |
| C1312            | QETN1CM-227Z | E CAP.    | 220μF       | 16V M      |
| C1316            | QCS31HJ-101Z | C CAP.    | 100pF       | 50V K      |
| C1317            | QCS31HJ-101Z | C CAP.    | 100pF       | 50V K      |
| C1351            | QETN1CM-107Z | E CAP.    | 100μF       | 16V M      |
| C1353            | QCB31HK-331Z | C CAP.    | 330pF       | 50V K      |
| C1355            | QCB31HK-331Z | C CAP.    | 330pF       | 50V K      |
| C1357            | QCB31HK-391Z | C CAP.    | 390pF       | 50V K      |
| C1359            | QFZ0097-223  | MM CAP.   | 0.022μF     | 1250V K    |
| C1360            | QFLC1HJ-103Z | M CAP.    | 0.01μF      | 50V J      |
| C1402            | QEM61HK-225Z | E CAP.    | 2.2μF       | 50V K      |
| C1405            | QETN1HM-105Z | E CAP.    | 1μF         | 50V M      |
| C1422            | QFN31HJ-182Z | M CAP.    | 1800pF      | 50V J      |
| C1423            | QFLC2AJ-473Z | M CAP.    | 0.047μF     | 100V J     |
| C1427            | QETN1VM-107Z | E CAP.    | 100μF       | 35V M      |
| C1428            | QETN1VM-107Z | E CAP.    | 100μF       | 35V M      |
| C1430            | QFLC2AJ-103Z | M CAP.    | 0.01μF      | 100V J     |
| C1433            | QETN1HM-475Z | E CAP.    | 4.7μF       | 50V M      |
| C1435            | QETN1EM-108  | E CAP.    | 1000μF      | 25V M      |
| C1436            | QFV71HJ-334Z | TF CAP.   | 0.33μF      | 50V J      |
| C1437            | QFN31HJ-102Z | M CAP.    | 1000pF      | 50V J      |
| C1450            | QETN1CM-107Z | E CAP.    | 100μF       | 16V M      |
| C1501            | QCB31HK-103Z | C CAP.    | 0.01μF      | 50V K      |
| C1502            | QETN1HM-105Z | E CAP.    | 1μF         | 50V M      |
| C1503            | QETN1AM-108Z | E CAP.    | 1000μF      | 10V M      |
| C1504            | QCB31HK-103Z | C CAP.    | 0.01μF      | 50V K      |
| C1505            | QCB31HK-103Z | C CAP.    | 0.01μF      | 50V K      |
| C1506            | QCB31HK-103Z | C CAP.    | 0.01μF      | 50V K      |
| C1507            | QFLC1HJ-103Z | M CAP.    | 0.01μF      | 50V J      |
| C1508            | QETN1EM-476Z | E CAP.    | 47μF        | 25V M      |
| C1509            | QCB31HK-103Z | C CAP.    | 0.01μF      | 50V K      |
| C1510            | QCB31HK-103Z | C CAP.    | 0.01μF      | 50V K      |
| C1521            | QCB32HK-151Z | C CAP.    | 150pF       | 500V K     |
| C1522            | QCB32HK-102Z | C CAP.    | 1000pF      | 500V K     |
| C1523            | QEHR2CM-105Z | E CAP.    | 1μF         | 160V M     |
| C1524            | QFZ0198-962  | MPP CAP.  | 9600pF      | 1.5kVH ±3% |
| C1527            | QFZ0119-474  | MPP CAP.  | 0.47μF      | 200V ±3%   |
| C1551            | QCB32HK-152Z | C CAP.    | 1500pF      | 500V K     |
| C1552            | QETN1VM-108  | E CAP.    | 1000μF      | 35V M      |
| C1557            | QETN2EM-225Z | E CAP.    | 2.2μF       | 250V M     |
| C1571            | QEHQ2CM-476  | E CAP.    | 47μF        | 160V M     |
| C1581            | QFLC1HJ-104Z | M CAP.    | 0.1μF       | 50V J      |
| C1591            | QETN1AM-227Z | E CAP.    | 220μF       | 10V M      |
| C1601            | QETN1HM-106Z | E CAP.    | 10μF        | 50V M      |
| C1602            | QFLC1HJ-473Z | M CAP.    | 0.047μF     | 50V J      |
| C1603            | QDC31HJ-470Z | C CAP.    | 47pF        | 50V J      |
| C1604            | QDC31HJ-470Z | C CAP.    | 47pF        | 50V J      |
| C1606            | QCB31HK-103Z | C CAP.    | 0.01μF      | 50V K      |
| C1607            | QETN1CM-107Z | E CAP.    | 100μF       | 16V M      |
| C1608            | QCB31HK-103Z | C CAP.    | 0.01μF      | 50V K      |
| C1609            | QCB31HK-103Z | C CAP.    | 0.01μF      | 50V K      |
| C1610            | QCB31HK-103Z | C CAP.    | 0.01μF      | 50V K      |
| C1611            | QCB31HK-103Z | C CAP.    | 0.01μF      | 50V K      |
| C1612            | QCB31HK-103Z | C CAP.    | 0.01μF      | 50V K      |
| C1631            | QETN1HM-106Z | E CAP.    | 10μF        | 50V M      |
| C1632            | QETN1HM-106Z | E CAP.    | 10μF        | 50V M      |
| C1633            | QETN1HM-106Z | E CAP.    | 10μF        | 50V M      |
| C1634            | QETN1HM-106Z | E CAP.    | 10μF        | 50V M      |
| C1637            | QENC1CM-226Z | BP E CAP. | 22μF        | 16V M      |
| C1638            | QETN1AM-107Z | E CAP.    | 100μF       | 10V M      |
| C1639            | QFLC1HJ-563Z | M CAP.    | 0.056μF     | 50V J      |
| C1640            | QFLC1HJ-393Z | M CAP.    | 0.039μF     | 50V J      |
| C1641            | QETN1HM-106Z | E CAP.    | 10μF        | 50V M      |
| C1642            | QETN1HM-106Z | E CAP.    | 10μF        | 50V M      |
| C1643            | QETN1HM-106Z | E CAP.    | 10μF        | 50V M      |
| C1644            | QENC1CM-226Z | BP E CAP. | 22μF        | 16V M      |
| C1645            | QCB31HK-103Z | C CAP.    | 0.01μF      | 50V K      |

| Symbol No.       | Part No.     | Part Name | Description | Local    |
|------------------|--------------|-----------|-------------|----------|
| <b>CAPACITOR</b> |              |           |             |          |
| C1646            | QFLC1HJ-273Z | M CAP.    | 0.027μF     | 50V J    |
| C1647            | QETN1HM-105Z | E CAP.    | 1μF         | 50V M    |
| C1648            | QENC1CM-226Z | BP E CAP. | 22μF        | 16V M    |
| C1650            | QETN1HM-106Z | E CAP.    | 10μF        | 50V M    |
| C1651            | QETN1HM-226Z | E CAP.    | 22μF        | 50V M    |
| C1652            | QETN1EM-476Z | E CAP.    | 47μF        | 25V M    |
| C1653            | QCB31HK-272Z | C CAP.    | 2700pF      | 50V K    |
| C1654            | QCB31HK-272Z | C CAP.    | 2700pF      | 50V K    |
| C1655            | QETN1HM-225Z | E CAP.    | 2.2μF       | 50V M    |
| C1656            | QETN1HM-106Z | E CAP.    | 10μF        | 50V M    |
| C1657            | QETN1HM-106Z | E CAP.    | 10μF        | 50V M    |
| C1658            | QFLC1HJ-104Z | M CAP.    | 0.1μF       | 50V J    |
| C1659            | QFLC1HJ-104Z | M CAP.    | 0.1μF       | 50V J    |
| C1660            | QFLC1HJ-104Z | M CAP.    | 0.1μF       | 50V J    |
| C1661            | QFLC1HJ-104Z | M CAP.    | 0.1μF       | 50V J    |
| C1662            | QETN1HM-225Z | E CAP.    | 2.2μF       | 50V M    |
| C1663            | QFLC1HJ-104Z | M CAP.    | 0.1μF       | 50V J    |
| C1664            | QFLC1HJ-104Z | M CAP.    | 0.1μF       | 50V J    |
| C1665            | QETN1HM-106Z | E CAP.    | 10μF        | 50V M    |
| C1670            | QCS31HJ-221Z | C CAP.    | 220pF       | 50V J    |
| C1671            | QENC1CM-106Z | BP E CAP. | 10μF        | 16V M    |
| C1672            | QCS31HJ-221Z | C CAP.    | 220pF       | 50V J    |
| C1673            | QENC1CM-106Z | BP E CAP. | 10μF        | 16V M    |
| C1674            | QETN1EM-227Z | E CAP.    | 220μF       | 25V M    |
| C1675            | QETN1EM-476Z | E CAP.    | 47μF        | 25V M    |
| C1676            | QETN1EM-476Z | E CAP.    | 47μF        | 25V M    |
| C1677            | QETN1EM-107Z | E CAP.    | 100μF       | 25V M    |
| C1678            | QETN1EM-107Z | E CAP.    | 100μF       | 25V M    |
| C1679            | QETN1EM-108  | E CAP.    | 1000μF      | 25V M    |
| C1680            | QETN1EM-108  | E CAP.    | 1000μF      | 25V M    |
| C1681            | QFLC1HJ-104Z | M CAP.    | 0.1μF       | 50V J    |
| C1682            | QFLC1HJ-104Z | M CAP.    | 0.1μF       | 50V J    |
| C1684            | QETN1CM-107Z | E CAP.    | 100μF       | 16V M    |
| C1685            | QFLC1HJ-104Z | M CAP.    | 0.1μF       | 50V J    |
| C1686            | QFLC1HJ-104Z | M CAP.    | 0.1μF       | 50V J    |
| C1701            | QETN1CM-107Z | E CAP.    | 100μF       | 16V M    |
| C1702            | QFLC1HJ-104Z | M CAP.    | 0.1μF       | 50V J    |
| C1703            | QETN1EM-476Z | E CAP.    | 47μF        | 25V M    |
| C1704            | QFN31HJ-102Z | M CAP.    | 1000pF      | 50V J    |
| C1705            | QETN1AM-107Z | E CAP.    | 100μF       | 10V M    |
| C1707            | QFN31HJ-272Z | M CAP.    | 2700pF      | 50V J    |
| C1708            | QFN31HJ-222Z | M CAP.    | 2200pF      | 50V J    |
| C1709            | QCS31HJ-560Z | C CAP.    | 56pF        | 50V J    |
| C1710            | QCB31HK-103Z | C CAP.    | 0.01μF      | 50V K    |
| C1711            | QFLC1HJ-104Z | M CAP.    | 0.1μF       | 50V J    |
| C1712            | QETN1HM-106Z | E CAP.    | 10μF        | 50V M    |
| C1713            | QCS31HJ-181Z | C CAP.    | 180pF       | 50V J    |
| C1714            | QFLC1HJ-103Z | M CAP.    | 0.01μF      | 50V J    |
| C1715            | QFLC1HJ-473Z | M CAP.    | 0.047μF     | 50V J    |
| C1721            | QETN1HM-106Z | E CAP.    | 10μF        | 50V M    |
| C1723            | QETN1AM-107Z | E CAP.    | 100μF       | 10V M    |
| C1724            | QCS31HJ-101Z | C CAP.    | 100pF       | 50V K    |
| C1725            | QCS31HJ-181Z | C CAP.    | 180pF       | 50V J    |
| C1730            | QFLC1HJ-103Z | M CAP.    | 0.01μF      | 50V J    |
| C1751            | QETN1EM-476Z | E CAP.    | 47μF        | 25V M    |
| C1752            | QETN1HM-106Z | E CAP.    | 10μF        | 50V M    |
| △ C1902          | QFZ9040-104  | MF CAP.   | 0.1μF       | AC275V M |
| △ C1903          | QFZ9040-473  | MF CAP.   | 0.047μF     | AC275V M |
| C1904            | QCZ9078-102  | C CAP.    | 1000pF      | AC250V M |
| C1905            | QCZ9078-102  | C CAP.    | 1000pF      | AC250V M |
| C1906            | QCZ9078-102  | C CAP.    | 1000pF      | AC250V M |
| C1907            | QCZ9078-102  | C CAP.    | 1000pF      | AC250V M |
| C1909            | QEZO199-227  | E CAP.    | 220μF       | 400V M   |
| C1921            | QCZO325-391  | C CAP.    | 390pF       | 2kV K    |
| C1922            | QCB31HK-471Z | C CAP.    | 470pF       | 50V K    |
| C1924            | QETN1VM-107Z | E CAP.    | 100μF       | 35V M    |
| C1926            | QFLC1HJ-222Z | M CAP.    | 2200pF      | 50V J    |
| C1929            | QCZO334-103  | C CAP.    | 0.01μF      | 500V P   |
| C1930            | QCZO122-221  | C CAP.    | 220pF       | 2kV K    |
| C1931            | QCZO325-271  | C CAP.    | 270pF       | 2kV K    |
| C1941            | QCZO122-561  | C CAP.    | 560pF       | 2kV K    |
| C1942            | QEZO203-107  | E CAP.    | 100μF       | 160V M   |
| C1944            | QCB31HK-332Z | C CAP.    | 3300pF      | 50V K    |
| C1945            | QETN1EM-108  | E CAP.    | 1000μF      | 25V M    |
| C1946            | QETN1EM-227Z | E CAP.    | 220μF       | 25V M    |

| Symbol No.       | Part No.     | Part Name | Description   | Local |
|------------------|--------------|-----------|---------------|-------|
| <b>CAPACITOR</b> |              |           |               |       |
| C1947            | QCB32HK-561Z | C CAP.    | 560pF 500V    | K     |
| C1948            | QETM1VM-108  | E CAP.    | 1000µF 35V    | M     |
| C1949            | QCS31HJ-391Z | C CAP.    | 390pF 50V     | J     |
| C1950            | QFLC1HJ-104Z | M CAP.    | 0.1µF 50V     | J     |
| C1954            | QCB31HK-103Z | C CAP.    | 0.01µF 50V    | K     |
| C1971            | QETN1HM-106Z | E CAP.    | 10µF 50V      | M     |
| C1972            | QETM1EM-108  | E CAP.    | 1000µF 25V    | M     |
| C1974            | QETM1EM-108  | E CAP.    | 1000µF 25V    | M     |
| C1975            | QETN1EM-107Z | E CAP.    | 100µF 25V     | M     |
| C1976            | QETN1CM-107Z | E CAP.    | 100µF 16V     | M     |
| C1977            | QETN1CM-107Z | E CAP.    | 100µF 16V     | M     |
| C1978            | QETN1AM-107Z | E CAP.    | 100µF 10V     | M     |
| △ C1991          | QCZ9079-471  | C CAP.    | 470pF AC250V  | K     |
| △ C1992          | QCZ9079-471  | C CAP.    | 470pF AC250V  | K     |
| △ C1993          | QCZ9079-222  | C CAP.    | 2200pF AC250V | M     |

**TRANSFORMER**

|         |               |                   |  |  |
|---------|---------------|-------------------|--|--|
| T1101   | CELT001-303J3 | CW TRANSF.        |  |  |
| T1521   | CE42034-001   | HOR DRIVE TRANSF. |  |  |
| △ T1522 | QQH0073-001   | H.V. TRANSF.      |  |  |
| △ T1921 | CETS128-001JM | SW TRANSF.        |  |  |

**COIL**

|       |              |              |       |   |
|-------|--------------|--------------|-------|---|
| L1101 | QQL05BK-2R2  | COIL         |       |   |
| L1104 | QQL244K-150Z | COIL         | 15µH  | K |
| L1105 | QQL244K-8R2Z | COIL         | 8.2µH | K |
| L1106 | QQL244K-100Z | COIL         | 10µH  | K |
| L1301 | QQL244K-470Z | COIL         | 47µH  | K |
| L1302 | QQL244K-470Z | COIL         | 47µH  | K |
| L1303 | QQL244K-4R7Z | COIL         | 4.7µH | K |
| L1351 | QQL244K-820Z | COIL         | 82µH  | K |
| L1352 | QQL244K-820Z | COIL         | 82µH  | K |
| L1353 | QQL244K-820Z | COIL         | 82µH  | K |
| L1551 | QQLZ018-430  | HEATER CHOKE |       |   |
| L1552 | QQL231J-560Y | COIL         |       |   |
| L1601 | QQL244K-120Z | COIL         | 12µH  | K |
| L1701 | QQL244K-5R6Z | COIL         | 5.6µH | K |
| L1941 | QQL42AK-820Z | CHOKE COIL   | 82µH  | K |
| L1942 | QQL42AK-820Z | CHOKE COIL   | 82µH  | K |
| L1943 | QQL26AM-2R2Z | CHOKE COIL   |       |   |

**DIODE**

|       |                |             |  |  |
|-------|----------------|-------------|--|--|
| D1001 | MTZJ33A-T2     | ZENER DIODE |  |  |
| D1101 | 1SS85-T2       | SI DIODE    |  |  |
| D1102 | 1SS85-T2       | SI DIODE    |  |  |
| D1104 | 1SS133-T2      | SI DIODE    |  |  |
| D1203 | 1SS133-T2      | SI DIODE    |  |  |
| D1231 | MTZJ13B-T2     | ZENER DIODE |  |  |
| D1232 | MTZJ13B-T2     | ZENER DIODE |  |  |
| D1421 | 1SS133-T2      | SI DIODE    |  |  |
| D1422 | MTZJ36A-T2     | ZENER DIODE |  |  |
| D1423 | 1SR124-400A-T2 | SI DIODE    |  |  |
| D1424 | MTZJ36A-T2     | ZENER DIODE |  |  |
| D1425 | 1SS133-T2      | SI DIODE    |  |  |
| D1501 | MTZJ9.1B-T2    | ZENER DIODE |  |  |
| D1502 | MTZJ5.1B-T2    | ZENER DIODE |  |  |
| D1551 | RGP10J-5025-T3 | SI DIODE    |  |  |
| D1553 | RH1S-T3        | SI DIODE    |  |  |
| D1582 | RGP10J-5025-T3 | SI DIODE    |  |  |
| D1631 | MTZJ13B-T2     | ZENER DIODE |  |  |
| D1632 | MTZJ13B-T2     | ZENER DIODE |  |  |
| D1701 | 1SS133-T2      | SI DIODE    |  |  |
| D1702 | 1SS133-T2      | SI DIODE    |  |  |
| D1703 | 1SS133-T2      | SI DIODE    |  |  |
| D1705 | 1SS133-T2      | SI DIODE    |  |  |
| D1706 | MTZJ8.2B-T2    | ZENER DIODE |  |  |
| D1707 | MTZJ8.2B-T2    | ZENER DIODE |  |  |
| D1708 | MTZJ8.2B-T2    | ZENER DIODE |  |  |
| D1709 | MTZJ8.2B-T2    | ZENER DIODE |  |  |
| D1710 | 1SS133-T2      | SI DIODE    |  |  |
| D1739 | MTZJ8.2B-T2    | ZENER DIODE |  |  |

| Symbol No.   | Part No.       | Part Name    | Description | Local |
|--------------|----------------|--------------|-------------|-------|
| <b>DIODE</b> |                |              |             |       |
| D1751        | SLR-342VR-T16  | LED (RED)    |             |       |
| D1752        | SLR-342MC-T16  | LED (GRN)    |             |       |
| D1753        | 1SS133-T2      | SI DIODE     |             |       |
| D1754        | P1241-04       | CDS          |             |       |
| D1758        | 1SS133-T2      | SI DIODE     |             |       |
| D1901        | D35BA60        | BRIDGE DIODE |             |       |
| D1921        | 1SR124-400A-T2 | SI DIODE     |             |       |
| D1922        | 1SS133-T2      | SI DIODE     |             |       |
| D1924        | 1SS133-T2      | SI DIODE     |             |       |
| D1926        | EG1A-T3        | SI DIODE     |             |       |
| D1927        | MTZJ6.8A-T2    | ZENER DIODE  |             |       |
| D1929        | MTZJ15A-T2     | ZENER DIODE  |             |       |
| D1941        | RU3AM-LFC4     | SI DIODE     |             |       |
| D1942        | ERC30-02L38    | SI DIODE     |             |       |
| D1943        | ERC30-02L38    | SI DIODE     |             |       |
| D1945        | MTZJ5.6A-T2    | ZENER DIODE  |             |       |
| D1971        | 1SR124-400A-T2 | SI DIODE     |             |       |
| D1981        | 1SS133-T2      | SI DIODE     |             |       |
| D1982        | 1SS133-T2      | SI DIODE     |             |       |
| D1983        | 1SS133-T2      | SI DIODE     |             |       |

**TRANSISTOR**

|       |                |                 |  |        |
|-------|----------------|-----------------|--|--------|
| Q1101 | 2SC5083/L-P/-T | SI TRANSISTOR   |  |        |
| Q1102 | DTC124ESA-T    | DIGI TRANSISTOR |  |        |
| Q1103 | 2SC1740S/QR/-T | SI TRANSISTOR   |  |        |
| Q1104 | 2SA933AS/QR/-T | SI TRANSISTOR   |  |        |
| Q1105 | DTC124ESA-T    | DIGI TRANSISTOR |  |        |
| Q1106 | DTC124ESA-T    | DIGI TRANSISTOR |  |        |
| Q1107 | 2SC1740S/QR/-T | SI TRANSISTOR   |  |        |
| Q1108 | 2SA933AS/QR/-T | SI TRANSISTOR   |  |        |
| Q1109 | 2SA933AS/QR/-T | SI TRANSISTOR   |  |        |
| Q1110 | DTC124ESA-T    | DIGI TRANSISTOR |  |        |
| Q1111 | DTC124ESA-T    | DIGI TRANSISTOR |  |        |
| Q1202 | 2SA933AS/QR/-T | SI TRANSISTOR   |  |        |
| Q1231 | 2SC1740S/QR/-T | SI TRANSISTOR   |  |        |
| Q1351 | 2SC3620        | SI TRANSISTOR   |  |        |
| Q1352 | 2SC3620        | SI TRANSISTOR   |  |        |
| Q1353 | 2SC3620        | SI TRANSISTOR   |  |        |
| Q1422 | 2SC1740S/QR/-T | SI TRANSISTOR   |  |        |
| Q1423 | 2SC1740S/QR/-T | SI TRANSISTOR   |  |        |
| Q1424 | 2SC1740S/QR/-T | SI TRANSISTOR   |  |        |
| Q1425 | 2SA933AS/QR/-T | SI TRANSISTOR   |  |        |
| Q1521 | BSN304-T       | TRANSISTOR      |  |        |
| Q1522 | 2SD1878-YD     | PW TRANSISTOR   |  | H. OUT |
| Q1523 | 2SC1815/YG/-T  | SI TRANSISTOR   |  |        |
| Q1601 | 2SC1740S/QR/-T | SI TRANSISTOR   |  |        |
| Q1602 | 2SC1740S/QR/-T | SI TRANSISTOR   |  |        |
| Q1603 | DTC124ESA-T    | DIGI TRANSISTOR |  |        |
| Q1604 | 2SC1740S/QR/-T | SI TRANSISTOR   |  |        |
| Q1605 | DTC124ESA-T    | DIGI TRANSISTOR |  |        |
| Q1608 | 2SC1740S/QR/-T | SI TRANSISTOR   |  |        |
| Q1631 | 2SC1740S/QR/-T | SI TRANSISTOR   |  |        |
| Q1632 | 2SC1740S/QR/-T | SI TRANSISTOR   |  |        |
| Q1653 | DTC363TS-T     | DIGI TRANSISTOR |  |        |
| Q1681 | DTC323TS-T     | DIGI TRANSISTOR |  |        |
| Q1682 | 2SA933AS/QR/-T | SI TRANSISTOR   |  |        |
| Q1683 | DTC323TS-T     | DIGI TRANSISTOR |  |        |
| Q1701 | 2SA933AS/QR/-T | SI TRANSISTOR   |  |        |
| Q1702 | 2SC1740S/QR/-T | SI TRANSISTOR   |  |        |
| Q1703 | 2SC1740S/QR/-T | SI TRANSISTOR   |  |        |
| Q1751 | DTA124ESA-T    | DIGI TRANSISTOR |  |        |
| Q1752 | 2SC1740S/QR/-T | SI TRANSISTOR   |  |        |
| Q1753 | DTC124ESA-T    | DIGI TRANSISTOR |  |        |
| Q1941 | 2SC1740S/QR/-T | SI TRANSISTOR   |  |        |
| Q1942 | DTC144GSA-T    | DIGI TRANSISTOR |  |        |
| Q1971 | 2SA966/OY/-T   | SI TRANSISTOR   |  |        |
| Q1972 | DTC144GSA-T    | DIGI TRANSISTOR |  |        |
| Q1981 | 2SA933AS/QR/-T | SI TRANSISTOR   |  |        |

**IC**

|        |              |    |
|--------|--------------|----|
| IC1001 | TA78L005AP-T | IC |
| IC1101 | M523425P     | IC |

| △ Symbol No. | Part No.       | Part Name          | Description | Local |
|--------------|----------------|--------------------|-------------|-------|
| <b>IC</b>    |                |                    |             |       |
| IC1201       | TB1226EN       | IC                 |             |       |
| IC1202       | LA7222         | IC                 |             |       |
| IC1421       | LA7840         | IC                 |             |       |
| IC1601       | AN7395K        | IC                 |             |       |
| IC1602       | TDA7315        | IC                 |             |       |
| IC1651       | LA4446         | IC                 |             |       |
| IC1701       | M37212M8-059SP | IC (MICROCOMPUTER) |             |       |
| IC1702       | AT24C08-21F8BK | IC (MEMORY)        | (Service)   |       |
| IC1703       | L78LR05E-MA    | IC (5V REG/RESET   |             |       |
| IC1751       | PIC-28043SR    | IR DETECT UNIT     |             |       |
| IC1921       | STR-F6654      | IC (SW REG)        |             |       |
| IC1941       | S1854A         | IC                 |             |       |
| IC1971       | BA17812T       | IC (12V REG)       |             |       |
| IC1972       | BA17809T       | IC (9V REG)        |             |       |
| IC1973       | BA17805T       | IC (5V REG)        |             |       |

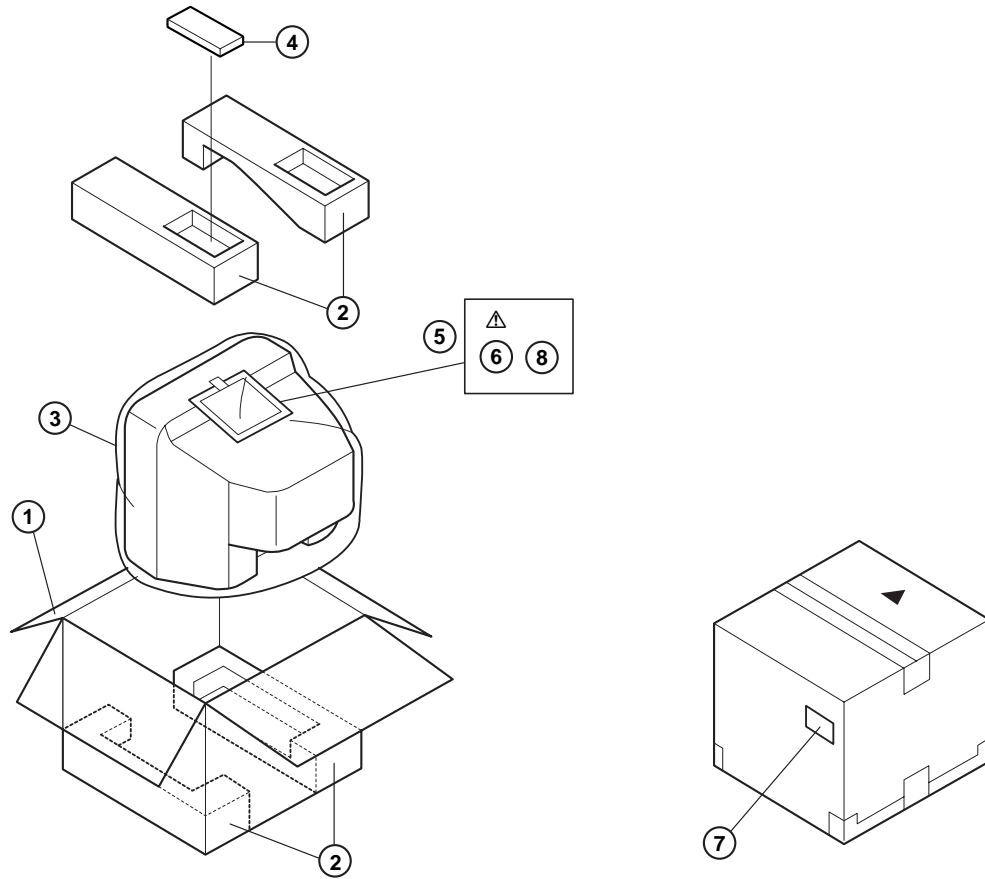
**OTHERS**

|          |                |                |           |   |
|----------|----------------|----------------|-----------|---|
|          | LC30114-001C-H | LED HOLDER     |           |   |
|          | CM35921-005-H  | CDS HOLDER     |           |   |
| CF1103   | QAX0339-001    | CERAMIC TRAP   |           |   |
| CF1104   | TPS5.5MW       | C TRAP         |           |   |
| CF1105   | TPS6.5MB       | CERAMIC TRAP   |           |   |
| CF1106   | TPSH6.0MB      | CERAMIC TRAP   |           |   |
| CF1601   | SFSH4.5MCB     | CERAMIC FILTER |           |   |
| CF1604   | QAX0336-001    | CERAMIC FILTER |           |   |
| CF1606   | QAX0337-001    | CERAMIC FILTER |           |   |
| CF1608   | QAX0338-001    | CERAMIC FILTER |           |   |
| △ CP1551 | ICP-N50-Y      | IC PROTECTOR   |           |   |
| △ CP1942 | ICP-N75-Y      | IC PROTECTOR   |           |   |
| △ CP1943 | ICP-N75-Y      | IC PROTECTOR   |           |   |
| △ CP1944 | ICP-N5-Y       | IC PROTECTOR   |           |   |
| EF1201   | CE42142-222Z   | EMI FILTER     |           |   |
| △ F1901  | QMF51E2-3R15J4 | FUSE           | 3.15A     |   |
| FC1901   | CEMG002-001Z   | FUSE CLIP (x2) |           |   |
| △ FR1001 | QRZ9017-100    | F R            | 10Ω 1/4W  | J |
| △ FR1551 | QRZ9017-4R7    | F R            | 4.7Ω 1/4W | J |
| △ FR1552 | QRZ9021-1R0    | F R            | 1.0Ω 1W   | J |
| △ FR1554 | QRZ9017-150    | F R            | 15Ω 1/4W  | J |
| J1001    | CEMN075-001    | PIN JACK       |           |   |
| J1002    | CEMN065-001    | PIN JACK       |           |   |
| J1003    | CEMN065-002    | PIN JACK       |           |   |
| J1004    | CEMN072-003    | PIN JACK       |           |   |
| J1005    | CEMN076-001    | PIN JACK       |           |   |
| K1001    | CE41433-001Z   | BEADS CORE     |           |   |
| K1201    | CE41433-001Z   | BEADS CORE     |           |   |
| K1301    | CE41433-001Z   | BEADS CORE     |           |   |
| K1422    | CE41433-001Z   | BEADS CORE     |           |   |
| K1701    | CE41433-001Z   | BEADS CORE     |           |   |
| K1702    | CE41433-001Z   | BEADS CORE     |           |   |
| K1703    | CE41433-001Z   | BEADS CORE     |           |   |
| K1704    | CE41433-001Z   | BEADS CORE     |           |   |
| K1705    | CE41433-001Z   | BEADS CORE     |           |   |
| K1706    | CE41433-001Z   | BEADS CORE     |           |   |
| K1707    | CE41433-001Z   | BEADS CORE     |           |   |
| K1708    | CE41433-001Z   | BEADS CORE     |           |   |
| K1921    | CE41433-001Z   | BEADS CORE     |           |   |
| K1922    | CE42050-001Z   | CORE SLEEVE    |           |   |
| K1923    | CE41433-001Z   | BEADS CORE     |           |   |
| K1941    | CE42050-001Z   | CORE SLEEVE    |           |   |
| K1942    | CE41433-001Z   | BEADS CORE     |           |   |
| K1943    | CE42050-001Z   | CORE SLEEVE    |           |   |
| △ LF1902 | QQR0527-002    | LINE FILTER    |           |   |
| △ PC1921 | PC123F2        | PHOTO COUPLER  |           |   |
| S1751    | QSW0619-003Z   | PUSH SWITCH    | MENU      |   |
| S1752    | QSW0619-003Z   | PUSH SWITCH    | CH-       |   |
| S1753    | QSW0619-003Z   | PUSH SWITCH    | CH+       |   |
| S1754    | QSW0619-003Z   | PUSH SWITCH    | VOL-      |   |
| S1755    | QSW0619-003Z   | PUSH SWITCH    | VOL+      |   |
| △ S1901  | QSP4K21-C01    | PUSH SWITCH    | POWER     |   |
| SF1101   | QAX0323-001    | SAW FILTER     |           |   |
| SF1102   | QAX0325-001    | SAW FILTER     |           |   |
| △ SK1351 | CE42446-001    | CRT SOCKET     |           |   |
| TH1901   | QAD0101-9R0    | P THERMISTOR   |           |   |
| TU1001   | QAU0186-001    | TUNER          |           |   |

| △ Symbol No.  | Part No.     | Part Name   | Description | Local |
|---------------|--------------|-------------|-------------|-------|
| <b>OTHERS</b> |              |             |             |       |
| △ VA1901      | ERZV10V621CS | VARISTOR    |             |       |
| X1301         | QAX0354-001  | XTAL        |             |       |
| X1701         | CST8.00MTW   | C RESONATOR |             |       |



# PACKING



## PACKING PARTS LIST

| △ Ref.No. | Part No.       | Part Name        | Description     | Local |
|-----------|----------------|------------------|-----------------|-------|
| 1         | GG10056-023A-H | PACKING CASE     |                 |       |
| 2         | LC10469-002A-H | CUSHION ASSY     | 4 pcs. in 1 set |       |
| 3         | CP30967-003-H  | POLY BAG         |                 |       |
| 4         | RM-C218-1C     | REMOCON UNIT     |                 |       |
| 5         | CP30966-001-H  | POLY BAG         |                 |       |
| △ 6       | LCT0838-001A-H | INST BOOK        |                 |       |
| 7         | CM47385-00B-H  | POS/SERIAL LABEL |                 |       |
| 8         | ATEAB001-00A   | MATCHING BOX     |                 |       |

## REMOTE CONTROL UNIT PARTS LIST (RM-C218-1C)

| △ Ref.No. | Part No.       | Part Name     | Description | Local |
|-----------|----------------|---------------|-------------|-------|
|           | 3139 224 20073 | BATTERY COVER |             |       |